



GENESIS INTERNATIONAL, INC.

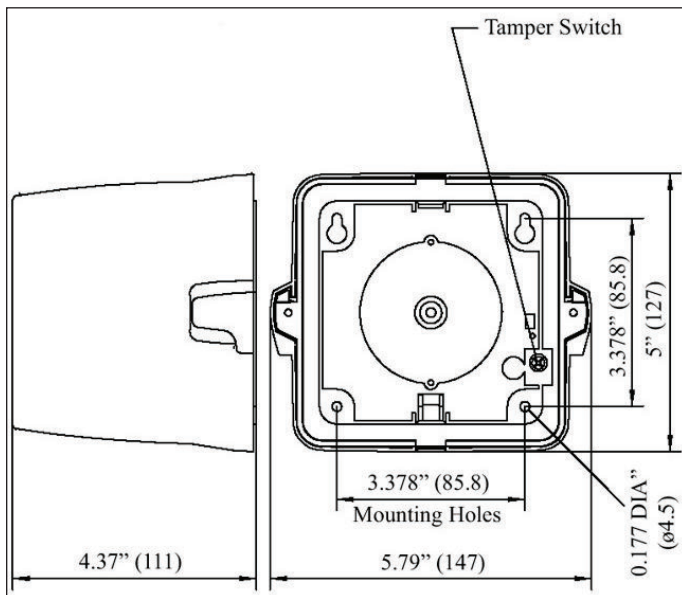
REMOTE HORN



SHERLOCK HORN

- Self--Contained /Indoor/Outdoor Siren
- Sturdy aluminum back plate
- Strong polycarbonate housing
- Dual tamper protection
- 120dB sound output
- Warble sound output
- Mounts directly to wall or 4 " square back box

DIMENSIONS



The **SHERLOCK HORN ASSEMBLY** is a durable indoor/outdoor self-contained siren. The full featured siren consists of a single tone that delivers a warble sound output, 120dB output siren driver, and a dual action reed plunger for cover and rear protection. The Horn is provided with a strong polycarbonate housing and a sturdy aluminum back plate to prevent warping and cracking. The Horn comes completely assembled and ready for installation.

The Horn excels in noisy areas such as warehouses, loading docks, print shops, busy production floors, or for indoor/outdoor applications where high quality and high output warning is required.

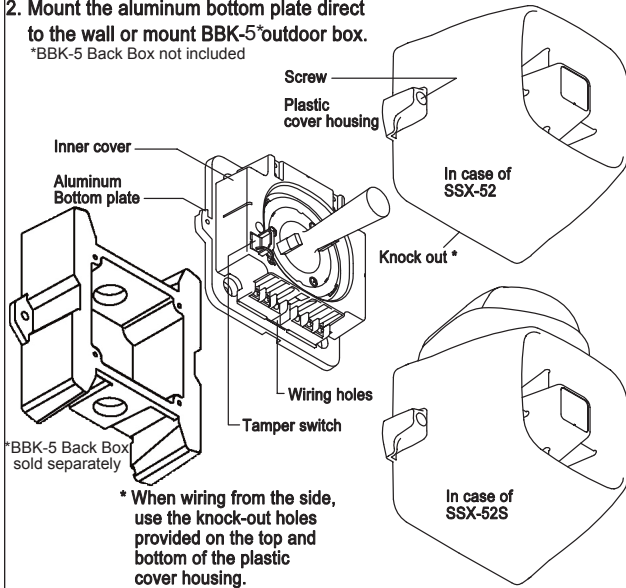
ENCLOSURE RATING	Indoor / Outdoor
DIMENSIONS	5.0 X 4.37 X 5.79
Inches (mm)	(127 X 111 X 147)
POWER INPUT	6 - 12V DC, 560mA
STARTING VOLTAGE	6V DC
OPERATING VOLTAGE	6V TO 14.4V DC
SOUND OUTPUT	120dB @ 10ft (3.05M)
OPERATING ENVIRONMENT	
TEMPERATURE	-4° - 149°F (-20° - 65°C)
HUMIDITY	0 TO 95% RH Non-Condensing
PART #	87-0030

Note: Siren sound quality varies with the power supply. If the power source has a high rippled, siren driver does not create the best sound. Best siren sound should be made with a lower rippled power supply.

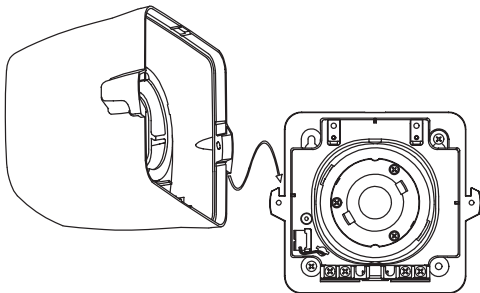
Please do not touch electronic components when you install the siren. It may cause damage.

INSTALLATION

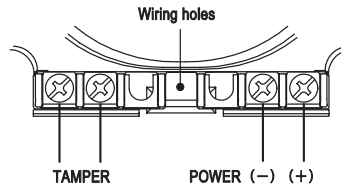
1. Remove the Plastic cover housing by loosening the screws.
2. Mount the aluminum bottom plate direct to the wall or mount BBK-5 outdoor box.
*BBK-5 Back Box not included



3. Plastic cover housing can be hooked-up as per drawing.

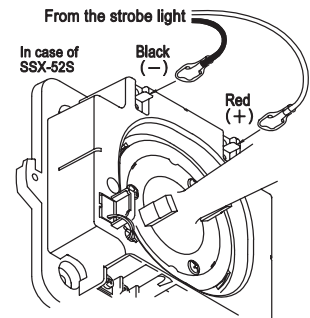


4. Wiring should be made as per drawing, and AWG #12 to #20 should be used. Siren/Strobe combination model installation should be same method of the above.

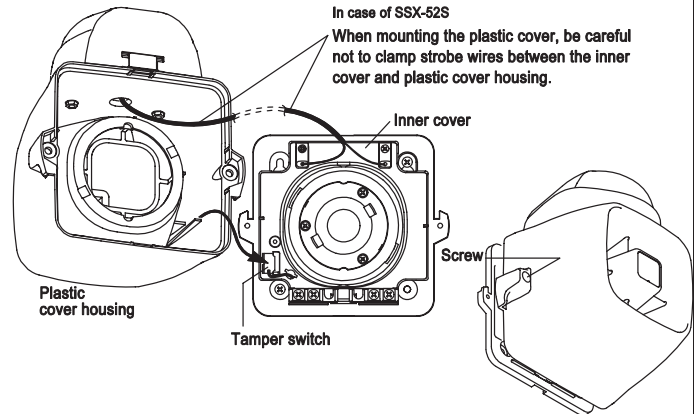


*Wiring method of the SSX-52S
Connect the Red lead wire from the strobe light to the (+) tab on the inner cover, the Black lead goes to (-) terminal as per drawing.

* Self-rising clamps used for the terminal screws do not require spade terminal.



5. After completion of wiring, mount the plastic cover back and secure with screws. The tamper switch must be pushed by the cover housing, so please place the cover in the correct position.



GENESIS INTERNATIONAL, INC.

1040 FOX CHASE INDUSTRIAL DRIVE
ARNOLD, MISSOURI 63010

PHONE: (636) 282-0011
FAX: (636) 282-2722

WEBSITE:
WWW.GENESIS-INTERNATIONAL.COM

EMAIL:
MAIL@GENESIS-INTERNATIONAL.COM