



# GENESIS INTERNATIONAL, INC.

## HORN/STROBE



**SHERLOCK HORN AND STROBE**

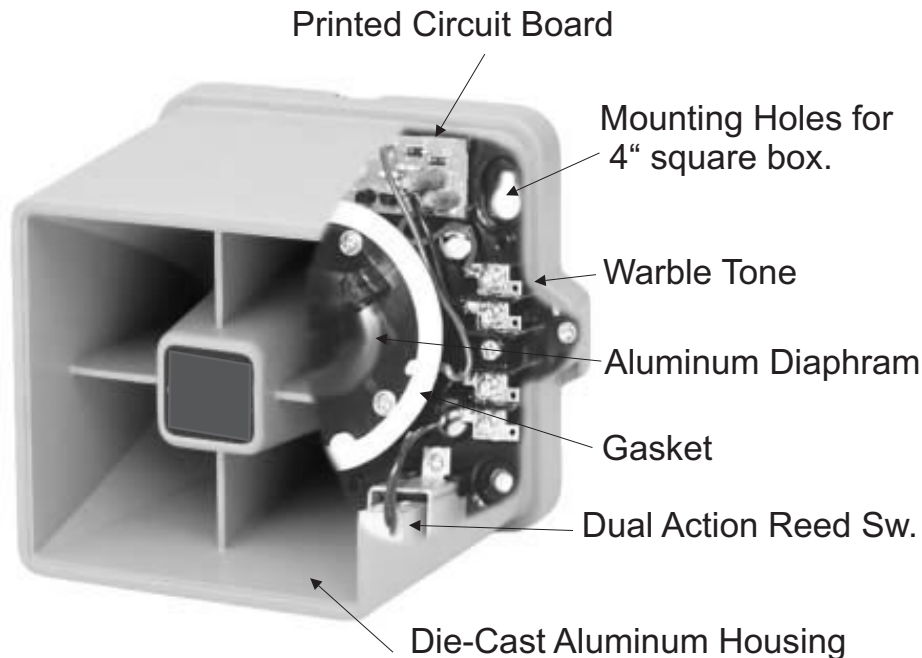
### OVERVIEW

SHERLOCK HORN AND STROBE ASSEMBLY consists of a strong and rust free aluminum die-cast cover housing, a 122dB output horn driver, a NC plunger type tamper switch, and a strobe light.

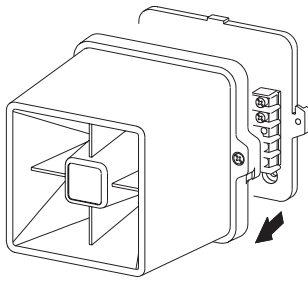
<b>ENCLOSURE RATING</b>	INDOOR/OUTDOOR
<b>DIMENSIONS</b> Inches (mm)	5.79 X 8.1 X 4.84 (147 X 206 X 123)
<b>POWER INPUT</b>	12V DC, 670mA
<b>STARTING VOLTAGE</b>	9.6V DC
<b>OPERATING VOLTAGE</b>	9.6V TO 14.4V DC
<b>SOUND OUTPUT</b>	122dB(A) @ 10ft (3.05M)
<b>FLASHING RATE</b>	20 - 100 FLASHES/MIN
<b>OPERATING ENVIRONMENT</b>	
<b>TEMPERATURE</b>	-4° - 140°F (-20° - 60°C)
<b>HUMIDITY</b>	0 TO 95% RH NON-CONDENSING
<b>LENS COLOR</b>	BLUE Part # 88-0233 RED Part # 88-0277 AMBER Part # 88-0337

### MISCELLANEOUS

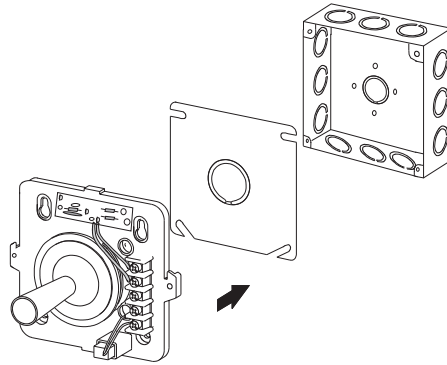
The Horn sound quality is varied depending upon the quality of the power supply. If the power source has a high ripple, the siren driver will produce the best sound.



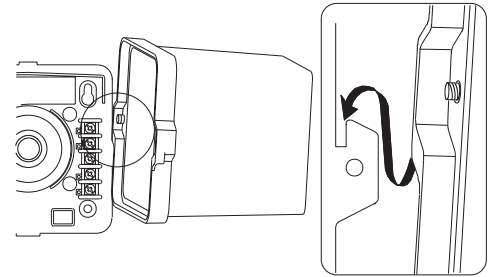
**Installation:**



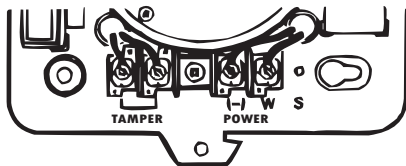
**Step 1**  
Separate the housing from the back plate.



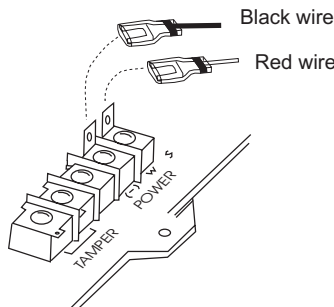
**Step 2**  
Mount the back plate directly to the wall or to a 4" square box.



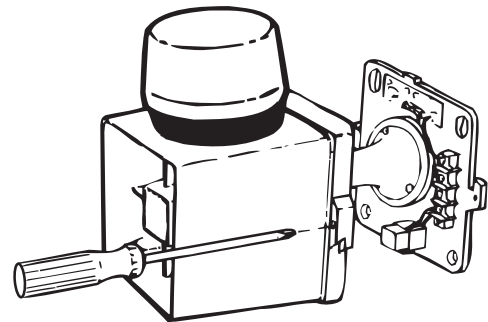
**Step 3**  
Place the housing over the built-in hook to free your hands during wiring.



**Step 4**  
Connect the siren wires to the terminal strip as indicated above. and re-install the cast iron housing.

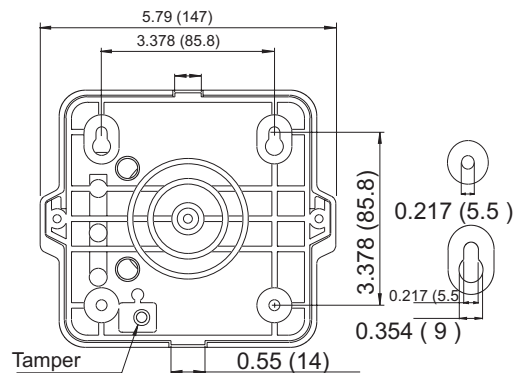
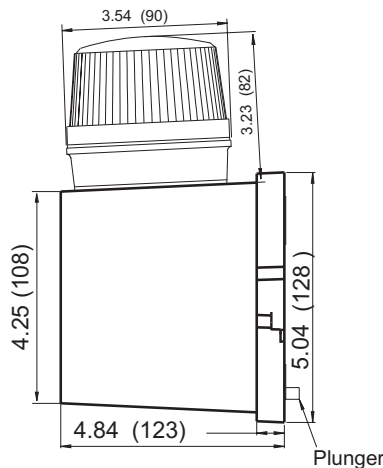
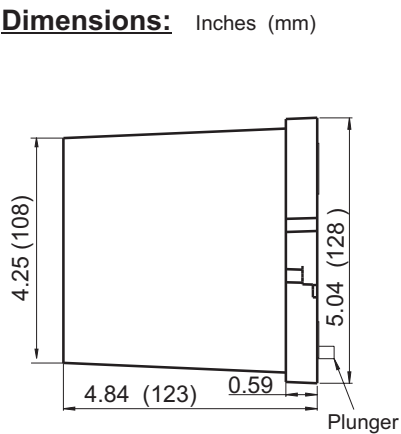


**SSX-51S**  
Connect the Red wire from the strobe to the (w) terminal and the Black wire to the (-) terminal on the back plate as indicated



**Step 5**  
Re-install the cast iron housing making sure it aligns properly with the back plate before securing the screws.

**Dimensions:** Inches (mm)



# GENESIS INTERNATIONAL, INC.

1040 FOX CHASE INDUSTRIAL DRIVE  
ARNOLD, MISSOURI 63010

PHONE: (636) 282-0011  
FAX: (636) 282-2722

WEBSITE:  
WWW.GENESIS-INTERNATIONAL.COM

EMAIL:  
MAIL@GENESIS-INTERNATIONAL.COM